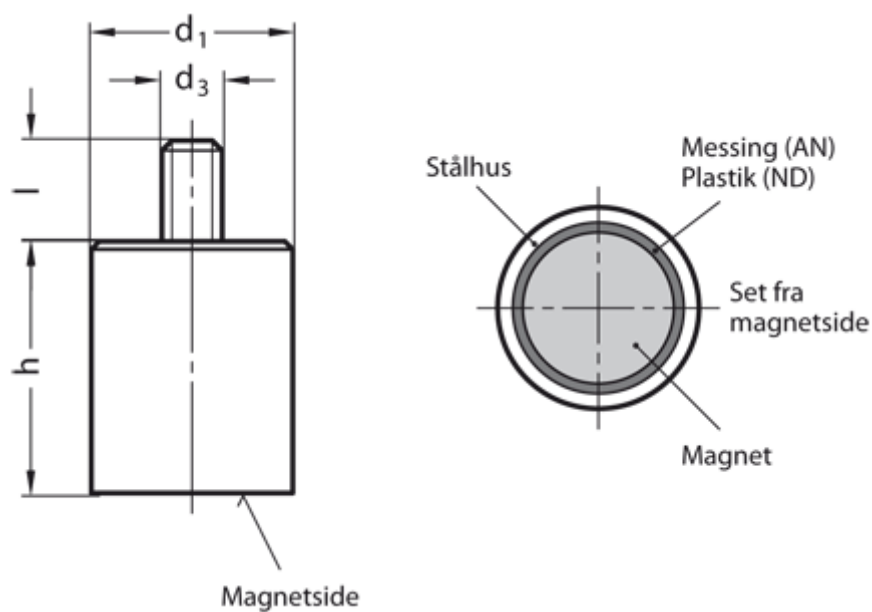


Article number: 201242384C

Description: E+G Retaining magnets with threaded stud GN 52.4-ND-8-M3-E
Neodymium, iron, boron - 80° C, 12N

Measures



d1	= 8
d3	= M3
h	= 20 ±0,2
Holding force N	= 12.0
l	= 7
Material	= ND Neodym, iron, boron, 80°C